



DEXTER EXPRESS ON-PREMISE STACK WASHER DRYER

**Dexter On-Premise Stack Washer Dryers Are Designed, Tested
And Manufactured To Ensure Superior Performance**



DEXTER STACK WASHER DRYER FEATURES:

RELIABLE DESIGN:

- Heavy-Duty Bearings in a Cast Iron Bearing Housing
- Welded Steel Spider and Shaft
- 180 Degree Wide Door Openings
- Fits through a Standard 36" Doorway

PERFORMANCE FEATURES

- Perforated Drums and Balanced Airflow
- Easy to Modify Cycle Times, Temperatures and Cool Down
- Extra Large Lint Screens are Easy to Clean and Maintain
- High Efficiency Recirculating Air Design Reduces Gas Usage
- 6 Cycle Washer Programming
- Lower Service Panel for Simpler Installation and Service

OPTIONS:

- Galvanized or Stainless Steel Cylinders (Dryers Only)
- Dryers Available as Natural Gas (Propane Kits Available)
- Standard 200g Force Extraction
(100g Force is Available for Turnout and other Protective Gear)
- Choice of Stainless Steel or Chrome Door on Dryer

Ask your Dexter Authorized Distributor For More Details!

www.dexter.com



1- 800-524-2954

EMPLOYEE OWNED

MADE IN THE U.S.A. • SINCE 1894



Dexter On-Premise Stack Washer Dryer Specifications

Washer

Dimensions / Capacity

Dry Weight Capacity	30 lb	(13.6 kg)
Cylinder Diameter	25.0"	(63.5 cm)
Cylinder Depth	14.13"	(35.9 cm)
Cylinder Volume	4.0 cu.ft.	(113.4 l)
Floor to Door Bottom	16"	(40.6 cm)
Door Opening	15.25"	(38.71 cm)

Speeds G-Force (RPM)

High Speed Extract	200 G	(750 RPM)
Intermed. Extract Speed	60 G	(411 RPM)
Washing Speed	.96 G	(50 RPM)
Motor Size	2 HP	(1.5 KW)

Electrical

	60 Hz	50 Hz
Electrical Phase	Single or Three	Single
Electrical Voltage	208-240	230
Electrical Running (Amps)	6.2	6.5
Circuit Protection (Amps)	15 amp	15 amp
Electrical Wire Size	12 gauge	12 gauge
Electrical Service (Single)	2 Wire + Ground	2 Wire + Ground
Electrical Service (Three)	3 Wire + Ground	---

Water

Water Inlet Size	3/4"	(19mm)
Flow Rate (per min)	9 gal	(34.1 L)
Pressure (min/max)	30-120 psi	(207-827 Kpa)
Drain Diameter (O.D.)	3"	(7.61 cm)
Floor to Center of Drain	4.5"	(11.23 cm)

Installation Recommendations

Clearance Between Machines	1/2" (min)	(1.31 cm)
Clearance Behind Machines	24" (min)	(61.1 cm)
Concrete Thickness	6" (min)	(15.24 cm)

Net Weight - lb (kg) 1039 lbs (471.3 kg)

Shipping Dimensions:

Shipping Weight	1090 lbs	(494.4 kg)
Height - in (cm)	83.25"	(211.38 cm)
Width - in (cm)	33.0"	(83.22 cm)
Depth - in (cm)	54.0"	(137.2 cm)

Dryer

Dimensions / Capacity

Dry Weight Capacity	30 lb	(13.6 kg)
Cylinder Diameter	30.0"	(76.2 cm)
Cylinder Depth	27.5"	(69.9 cm)
Cylinder Volume	11.25 cu.ft.	(325.6 l)
Floor to Door Bottom	48.0"	(115.2 cm)
Door Opening	22.7"	(57.6 cm)

Airflow - cfm (M3/min)

60Hz	500 cfm	(14.6 M3/min)
50Hz	450 cfm	(12.7 M3/min)

BTU's / Circuit Breaker / Running Amps / Wire Size

Gas Supply Connection	0.5"	(12.7 mm)
Natural Gas Supply - (water column)	4 - 10"	(10.2 - 25.4 cm)
LP Gas Supply - (water column)	11.5 - 14"	(29.2 - 35.5 cm)

Gas Models

60 Hz	80,000 BTU/hr (26.4 kW) / pocket
50 Hz	74,000 BTU/hr (21.7 kW) / pocket

Gas

-21 (230/50/1 - 3 wire + ground)	15 amp / 5.0 amp / #12
-10 (120/60/1 - 2 wire + ground)	15 amp / 9.8 amp / #12

Electric (per pocket)

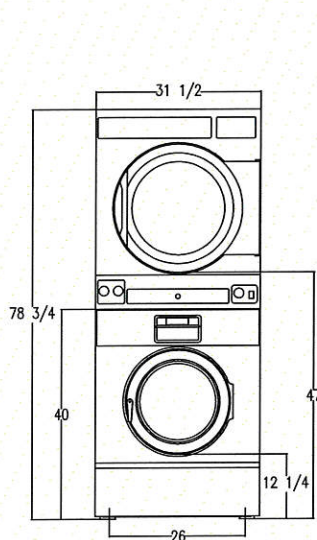
-27FL (220/50/1 - 2 wire + ground) - 20kW	110 amp / 110 amp / #1/0
-64FN (400/50/3 - 4 wire + ground) - 24kW	50 amp / 45 amp / # 6

Installation Recommendations

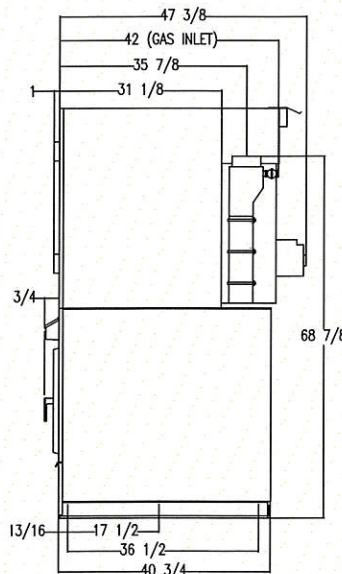
Clearance Behind Machines	18"	(45.7 cm)
Make-up Air Req. (per dryer)	1.0 sq.ft.	(1394 sq.cm)

Exhaust Size - in (cm) 6" (20.3 cm)

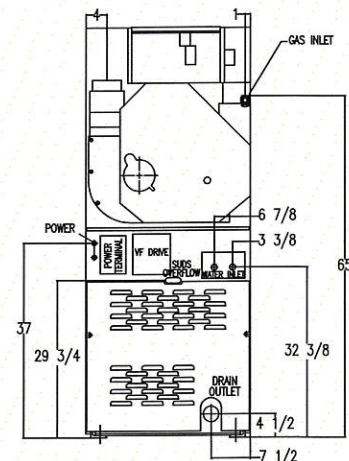
Approvals**



Front



Side



Back