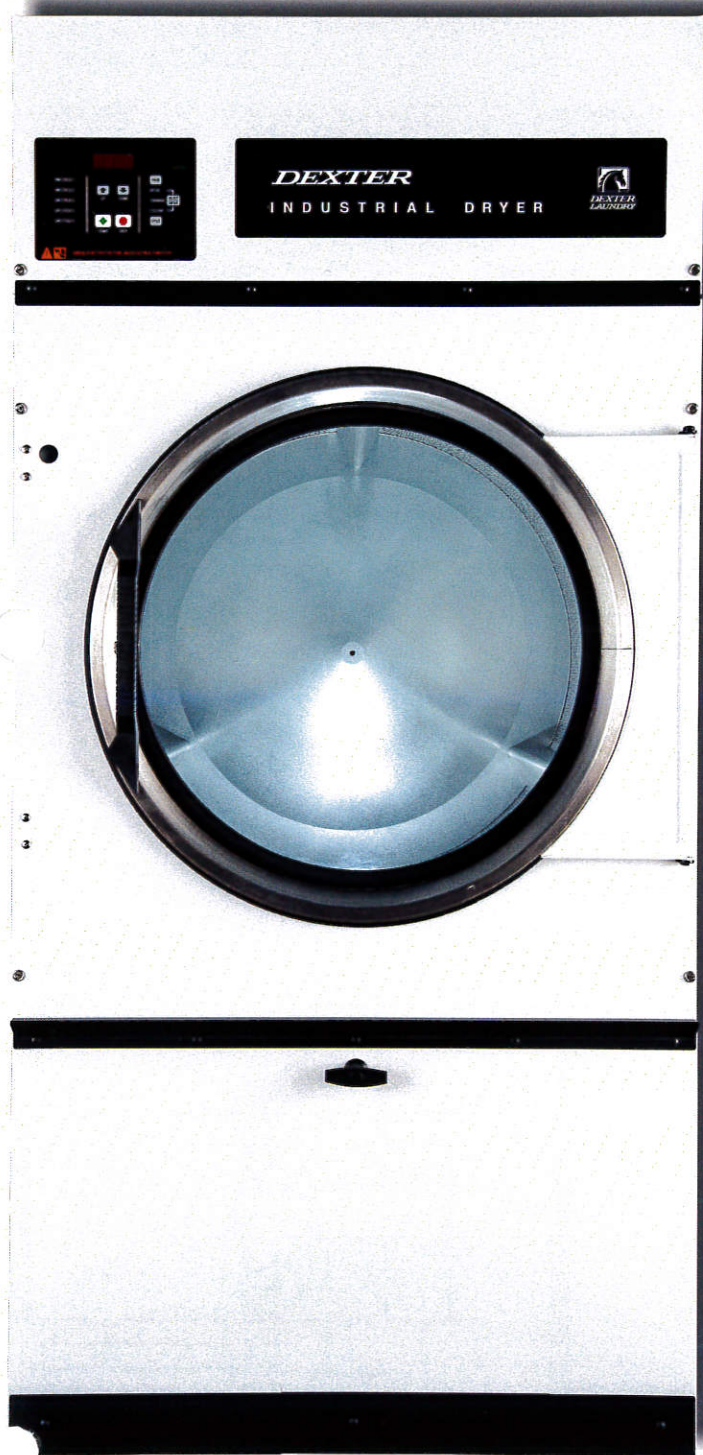




# DEXTER T-50

## INDUSTRIAL ON-PREMISE DRYER

**Dexter On-Premise Dryers Are Designed, Tested  
And Manufactured To Ensure Superior Drying**



### **DEXTER 50LB OPL DRYER FEATURES:**

#### **RELIABLE DESIGN:**

- Heavy-Duty Bearings In a Cast Iron Bearing Housing
- Welded Steel Spider And Shaft
- Single Gas, Electrical, And Venting Connections Simplify Installation

#### **PERFORMANCE FEATURES**

- Perforated Drums And Balanced Airflow
- Easy to Modify Cycle Times, Temperatures And Cool Down
- Extra Large Lint Screens Are Easy To Clean And Maintain

#### **OPTIONS:**

- White Or Stainless Steel Front Panels
- Galvanized Or Stainless Steel Cylinders.
- Available As Natural Gas (Propane Kits Available)
- Capacities Available: Single Pocket 30lb, 50lb, 80lb, 120lb, 30lb Stacked And 50lb Stacked

**Ask your Dexter Authorized Distributor For More Details!**

**[www.dexter.com](http://www.dexter.com)**

**1- 800-524-2954**

# EMPLOYEE OWNED

## MADE IN THE U.S.A. • SINCE 1894



### T-50 Dexter OPL Dryer Specifications

#### Dimensions / Capacity

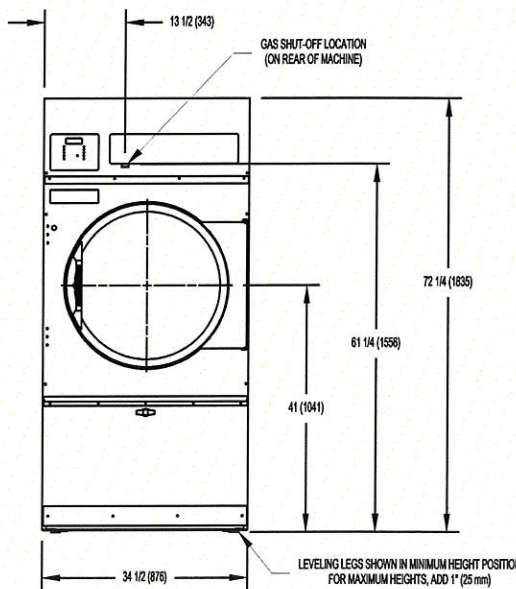
Dry Weight Capacity - lb (kg)	50 lb (24.9 kg)
Cabinet Height - in (cm)	72.63" (184.3 cm)
Cabinet Width - in (cm)	34.5" (87.6 cm)
Overall Depth - in (cm)	48.0" (121.9 cm)
Door Opening - in (cm)	26.0" (66.0 cm)
Cylinder Diameter - in (cm)	32.5" (82.6 cm)
Cylinder Depth - in (cm)	33.0" (84.5 cm)
Cylinder Volume - cu.ft. (liters)	15.84.2 cu.ft. (449.5 l)
Tumbler Speed	45 RPM
Airflow - cfm (M3/min)	
60Hz	910 cfm (25.8 M3/ min)
50Hz	760 cfm (21.5 M3/ min)
Lint Screen Area	708 sq.in. (4568 sq. cm)
Net Weight - lb (kg)	579 lbs (262.6 kg)
<b>Shipping Dimensions:</b>	
Shipping Weight	611 lbs (277.0 kg)
Height - in (cm)	78.0" (198.1 cm)
Width - in (cm)	36" (91.44 cm)
Depth - in (cm)	54.5" (138.4 cm)

#### BTU's / Circuit Breaker / Running Amps / Wire Size

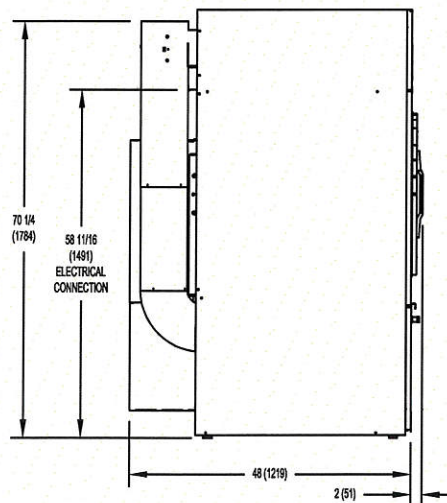
Gas Models	
60Hz	145,000 BTU/hr (42.5 kW)
50Hz	120,000 BTU/hr (35.2 kW)
Gas Supply Connection	0.5" (12.7 mm)
Natural Gas Supply - (water column)	5 - 10" (12.7 - 25.4 cm)
LP Gas Supply - (water column)	11 - 13.5" (27.9 - 34.3 cm)
Gas	
-10 (120/60/1 - 2 wire + ground)	15 amp / 9.6 amp / #12
-39 (230/50/1 - 2 wire + ground)	10 amp / 5.1 amp / #14
-59 (230/50/1 - 2 wire + ground)	10 amp / 5.1 amp / #14
Electric (per pocket)	
-16FC (208/60/3 - 4 wire + ground) - 24kW	90 amp / 85 amp / #2
-16FE (208/60/3 - 4 wire + ground) - 30kW	100 amp / 100 amp / #1
-18FD (240/60/3 - 4 wire + ground) - 24kW	80 amp / 75 amp / #3
-18FG (240/60/3 - 4 wire + ground) - 30kW	90 amp / 90 amp / #2
-64FN (400/50/3 - 4 wire + ground) - 24kW	50 amp / 45 amp / # 6

#### Installation Recommendations

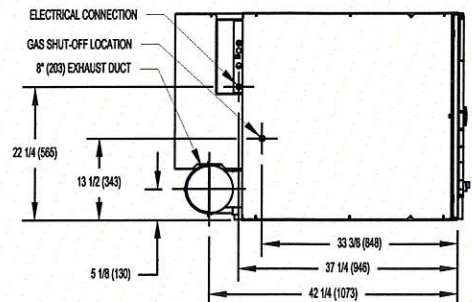
Clearance Behind Machines	18" (45.7 cm)
Make-up Air Req.	1.25 sq. ft. (1161 sq. cm)
Exhaust Size - in (cm)	8" (20.3 cm)
Approvals**	



Front



Side



Top