



DEXTER EXPRESS INDUSTRIAL T-350 WASHER

6 CYCLE ON-PREMISE WASHER MODEL

**Dexter On-Premise Washers Are Designed, Tested
And Manufactured To Ensure Superior Performance**

DEXTER T-350 OPL WASHER FEATURES:

RELIABLE DESIGN:

- Heavy-Duty Bearings In a Cast Iron Bearing Housing
- Welded Steel Spider And Shaft
- AISI 304 Stainless Steel Top, Front And Side Panels
- Fits Through a Standard 36" Doorway
- Sump-Less Outer Tub Design Saves Water On Every Cycle

PERFORMANCE FEATURES

- Powerful 200 G-Force Extraction
- 6 Programmable Wash Cycles Available
- Perforated Cylinders And Raised Baffles For Superior Wash Action
- Easy To Modify Cycle Times, Temperatures, Water Levels And Injection Source
- Energy Efficient Inverter Drive Technology
- Rugged Frame Design Proven For Over Two Decades
- All Dexter Washer Designs Pass 1000 Hour Out of Balance Test

OPTIONS:

- Capacities Available: 20lb, 30lb, 50lb, 60lb And 90lb



Ask your Dexter Authorized Distributor For More Details!

www.dexter.com



1- 800-524-2954



Dexter OPL T-350 Washer Specifications

Dimensions / Capacity

Dry Weight Capacity	20 lb	(9.0 kg)
Cabinet Height	43.88"	(111.4 cm)
Cabinet Width	26"	(66.0 cm)
Overall Depth	28"	(71.1 cm)
Door Opening	12.25"	(31.1 cm)
Cylinder Diameter	21.0"	(53.3 cm)
Cylinder Depth	13.5"	(34.3 cm)
Cylinder Volume	2.71 cu.ft.	(76.7 L)
Floor to Door Bottom	15"	(38.1 cm)
Speeds G-Force (RPM)		
High Speed Extract	200 G	(819 RPM)
Intermed. Extract Speed	60 G	(449 RPM)
Washing Speed	.9 G	(55 RPM)

Net Weight - lb (kg) 396 lbs (179.6 kg)

Shipping Dimensions:

Shipping Weight	419 lbs	(190.1 kg)
Height - in (cm)	49.25"	(125.1 cm)
Width - in (cm)	28.25"	(71.1 cm)
Depth - in (cm)	33.5"	(85.1 cm)

Water

Water Inlet Size	3/4"	(19 mm)
Flow Rate (per min)	9 gal	(34.1 LPM)
Pressure (min/max)	30-120 psi	(207-827 kPa)
Drain Diameter (O.D.)	2.25"	(5.7 cm)
Floor to Center of Drain	6"	(15.2 cm)

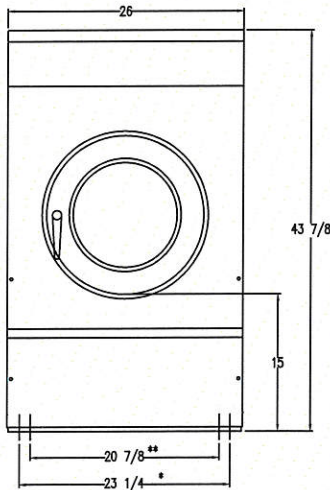
Electrical / Circuit Breaker / Running Amps / Wire Size

-12 (208-240/60/1 - 2 wire + ground)	15 amp / 6.2 amp / #12
-12 (208-240/60/3 - 3 wire + ground)	15 amp / 6.2 amp / #12
-59 (230/50/1 - 2 wire + ground)	15 amp / 6.2 amp / 3.5 mm2

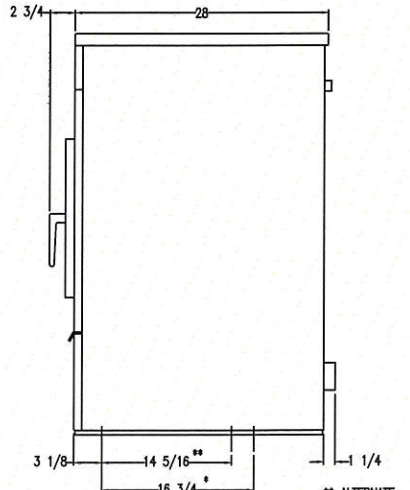
Installation Recommendations

Clearance Between Machines	1/2" (min)	(1.3 cm)
Clearance Behind Machines	24" (min)	(61.0 cm)
Concrete Thickness	6" (min)	(15.2 cm)

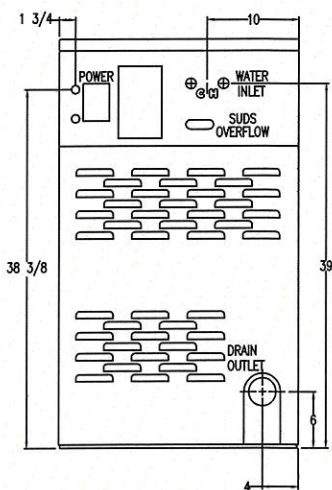
Approvals**



Front



Side



Back

** ALTERNATE RECOMMENDED