



**DEXTER.**  
LAUNDRY

# DEXTER EXPRESS INDUSTRIAL T-450 WASHER

**6 CYCLE ON-PREMISE WASHER MODEL**

**Dexter On-Premise Washers Are Designed, Tested  
And Manufactured To Ensure Superior Performance**

## **DEXTER T-450 OPL WASHER FEATURES:**

### **RELIABLE DESIGN:**

- Heavy-Duty Bearings In a Cast Iron Bearing Housing
- Welded Steel Spider And Shaft
- AISI 304 Stainless Steel Top, Front And Side Panels
- Fits Through a Standard 36" Doorway
- Sump-Less Outer Tub Design Saves Water On Every Cycle

### **PERFORMANCE FEATURES**

- Powerful 200 G-Force Extraction
- 6 Programmable Wash Cycles Available
- Perforated Cylinders And Raised Baffles For Superior Wash Action
- Easy To Modify Cycle Times, Temperatures, Water Levels And Injection Source
- Energy Efficient Inverter Drive Technology
- Rugged Frame Design Proven For Over Two Decades
- All Dexter Washer Designs Pass 1000 Hour Out of Balance Test

### **OPTIONS:**

- Capacities Available: 20lb, 30lb, 50lb, 60lb And 90lb



**Ask your Dexter Authorized Distributor For More Details!**

**www.dexter.com**



**1- 800-524-2954**



## Dexter OPL T-450 Washer Specifications

### Dimensions / Capacity

Dry Weight Capacity	30 lb	(13.6 kg)
Cabinet Height	48.25"	(122.6 cm)
Cabinet Width	29.88"	(75.9 cm)
Overall Depth	28.25"	(72.4 cm)
Door Opening	15.25"	(38.7 cm)
Cylinder Diameter	25.0"	(63.5 cm)
Cylinder Depth	13.38"	(34.0 cm)
Cylinder Volume	3.8 cu.ft.	(107.6 L)
Floor to Door Bottom	16"	(40.6cm)

### Speeds G-Force (RPM)

High Speed Extract	200 G	(750 RPM)
Intermed. Extract Speed	60 G	(411 RPM)
Washing Speed	.9 G	(50 RPM)

Net Weight - lb (kg)                      539 lbs                      (244.5 kg)

### Shipping Dimensions:

Shipping Weight	562 lbs	(254.9 kg)
Height - in (cm)	52.75"	(133.9 cm)
Width - in (cm)	31.5"	(80.0 cm)
Depth - in (cm)	33.5"	(85.1 cm)

### Water

Water inlet Size	3/4"	(19 mm)
Flow Rate (per min)	9 gal	(34.1 LPM)
Pressure (min/max)	30-120 psi	(207-827 kPa)
Drain Diameter (O.D.)	3"	(7.6 cm)
Floor to Center of Drain	5"	(12.7 cm)

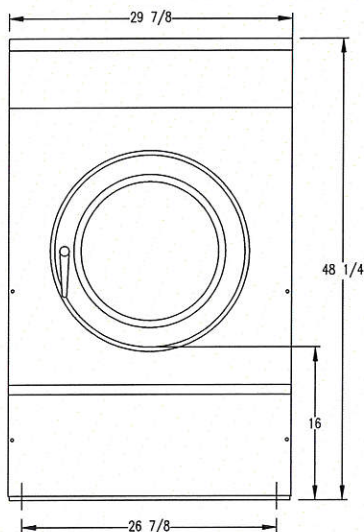
### Electrical / Circuit Breaker / Running Amps / Wire Size

-12 (208-240/60/1 - 2 wire + ground)	15 amp / 6.2 amp / #12
-12 (208-240/60/3 - 3 wire + ground)	15 amp / 6.2 amp / #12
-59 (230/50/1 - 2 wire + ground)	15 amp / 6.2 amp / 3.5 mm2

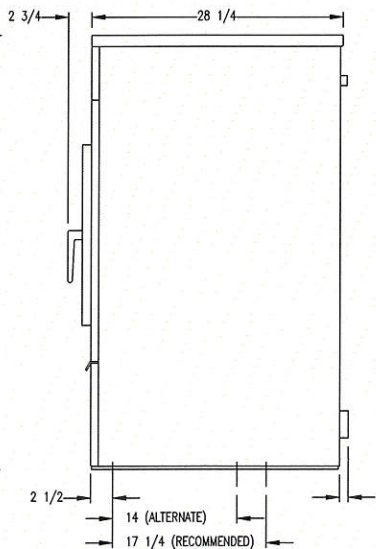
### Installation Recommendations

Clearance Between Machines	1/2" (min)	(1.3 cm)
Clearance Behind Machines	24" (min)	(61.0 cm)
Concrete Thickness	6" (min)	(15.2 cm)

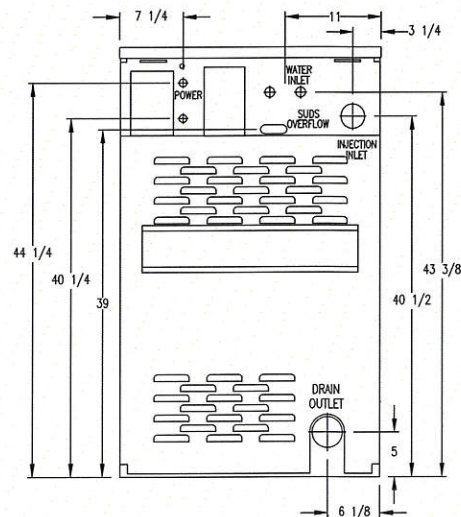
Approvals\*\*



**Front**



**Side**



**Back**