



# DEXTER EXPRESS INDUSTRIAL T-750 WASHER

6 CYCLE ON-PREMISE WASHER MODEL

**Dexter On-Premise Washers Are Designed, Tested And Manufactured To Ensure Superior Performance**

## DEXTER T-750 OPL WASHER FEATURES:

### RELIABLE DESIGN:

- Heavy-Duty Bearings In a Cast Iron Bearing Housing
- Welded Steel Spider And Shaft
- AISI 304 Stainless Steel Top, Front And Side Panels
- Fits Through a Standard 36" Doorway
- Sump-Less Outer Tub Design Saves Water On Every Cycle

### PERFORMANCE FEATURES

- Powerful 200 G-Force Extraction
- 6 Programmable Wash Cycles Available
- Perforated Cylinders And Raised Baffles For Superior Wash Action
- Easy To Modify Cycle Times, Temperatures, Water Levels And Injection Source
- Energy Efficient Inverter Drive Technology
- Rugged Frame Design Proven For Over Two Decades
- All Dexter Washer Designs Pass 1000 Hour Out of Balance Test

### OPTIONS:

- Capacities Available: 20lb, 30lb, 50lb, 60lb And 90lb



**Ask your Dexter Authorized Distributor For More Details!**

**www.dexter.com**



**1- 800-524-2954**

### Dexter OPL T-750 Washer Specifications

#### Dimensions / Capacity

Dry Weight Capacity	50 lb	(22.6 kg)
Cabinet Height	54.0"	(137.2 cm)
Cabinet Width	34.38"	(87.4 cm)
Overall Depth	32.75"	(83.2 cm)
Door Opening	19.25"	(48.9 cm)
Cylinder Diameter	30.0"	(76.2 cm)
Cylinder Depth	16"	(40.6 cm)
Cylinder Volume	6.5 cu.ft.	(184.1 l)
Floor to Door Bottom	16.13"	(41.0 cm)
<b>Speeds G-Force (RPM)</b>		
High Speed Extract	200 G	(685 RPM)
Intermed. Extract Speed	60 G	(375 RPM)
Washing Speed	.9 G	(43 RPM)
Net Weight - lb (kg)	929 lbs	(421.4 kg)
<b>Shipping Dimensions:</b>		
Shipping Weight	961 lbs	(435.9 kg)
Height - in (cm)	59.25"	(150.5 cm)
Width - in (cm)	36"	(91.4 cm)
Depth - in (cm)	38"	(96.5 cm)

#### Water:

Water Inlet Size	3/4"	(19 mm)
Flow Rate (per min)	9 gal	(34.1 L)
Pressure (min/max)	30-120psi	(207-827 kPa)
Drain Diameter (O.D.)	3"	(7.6 cm)
Floor to Center of Drain	7"	(17.8 cm)

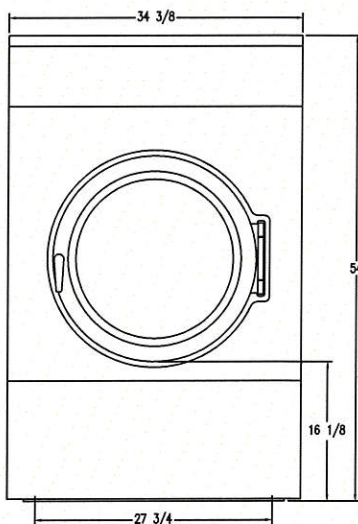
#### Electrical / Circuit Breaker / Running Amps / Wire Size

-12 (208-240/60/1 - 2 wire + ground)	20 amp / 8.4 amp / #12
-12 (208-240/60/3 - 3 wire + ground)	20 amp / 8.4 amp / #12
-59 (230/50/1 - 2 wire + ground)	20 amp / 8.4 amp / 3.5 mm2

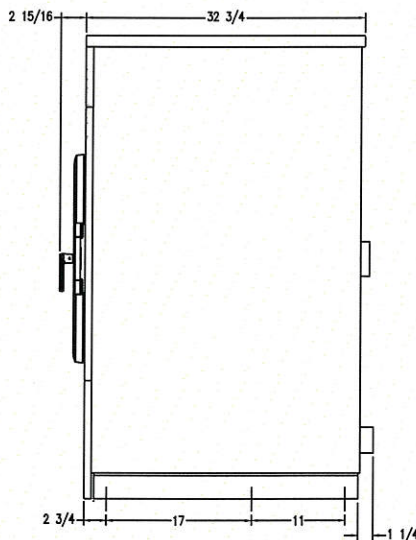
#### Installation Recommendations

Clearance Between Machines	1/2" (min)	(1.3 cm)
Clearance Behind Machines	24" (min)	(61.0 cm)
Concrete Thickness	8" (min)	(20.3 cm)

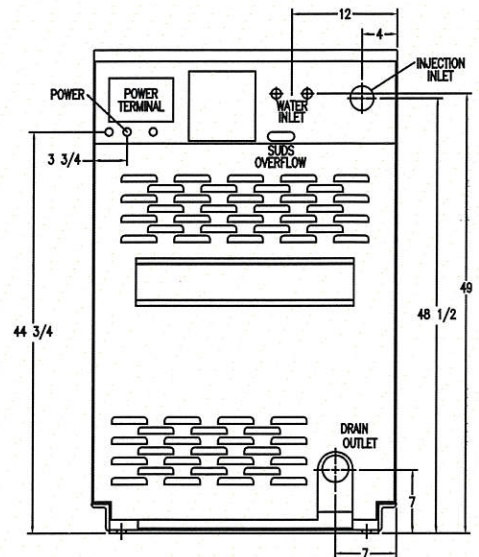
Approvals\*\*



Front



Side



Back